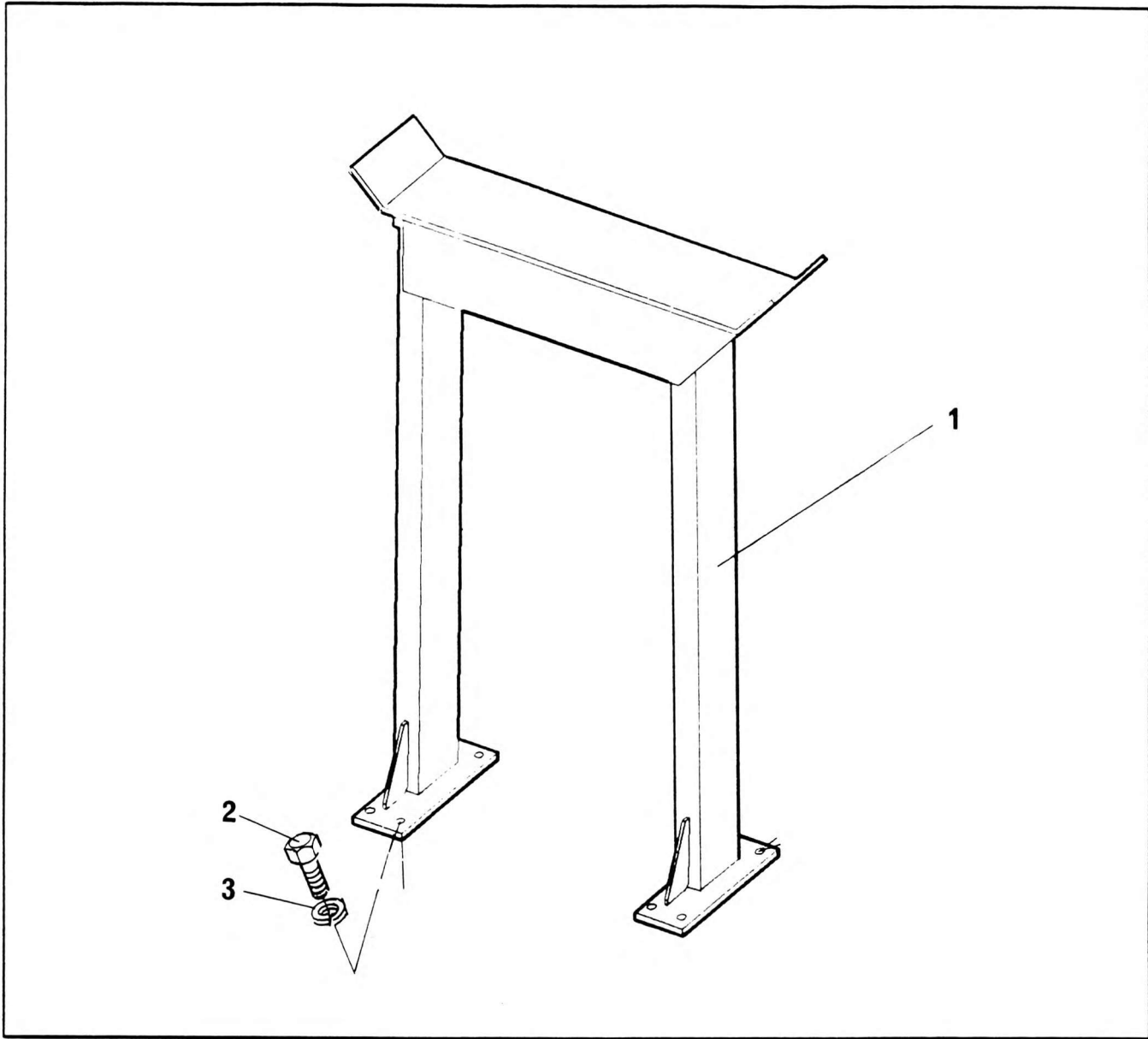


BOOM REST INSTALL



NO.	PART NO.	QTY.	DESCRIPTION	NO.	PART NO.	QTY.	DESCRIPTION
1	6-966-990405	1	Boom Rest				
2	7-126-211353	8	Screw M12 x 30 Long				
3	7-951-210210	8	Spring Washer M12				

6-164-990626
Issue No. 00